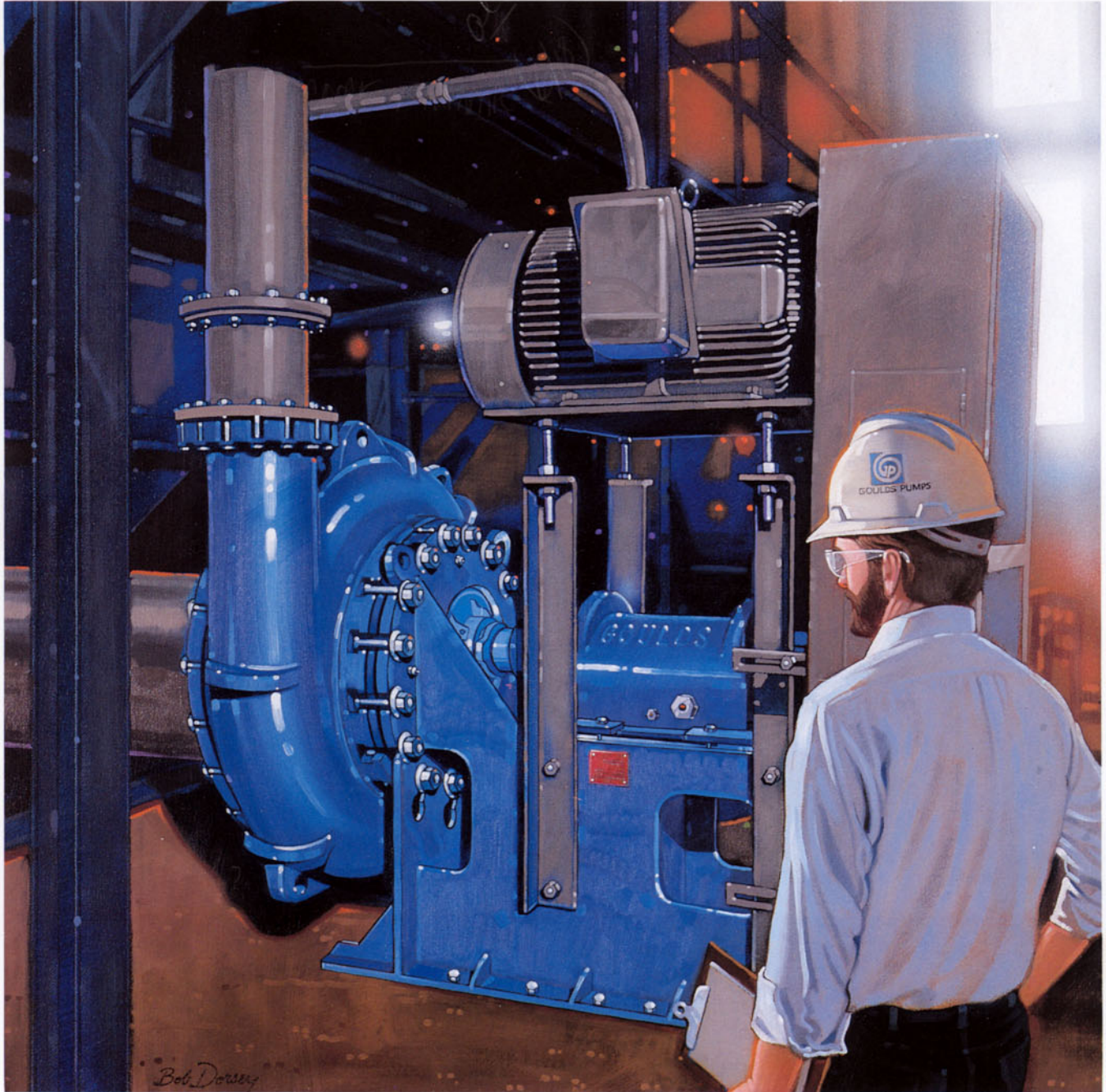




GOULDS PUMPS

Goulds Model 5500 Severe Duty Slurry Pumps



Goulds Pumps



ITT Industries
Engineered for life

Goulds Model 5500

Designed to Handle the Severest Abrasive Slurries

- Capacities to 17,000 GPM (3861 m³/h)
- Heads to 425 feet (139m)
- Temperatures to 250°F (121° C)
- Pressures to 500 PSIG (3448 kPa)
- Solids to 5 inches (127 mm)

Design Features

Large Diameter Impeller Develops higher heads at lower operating speeds.

Extra Heavy Duty Shaft Assures minimum shaft deflection while handling pulsating loads associated with high specific gravity slurries.

Simplified Mechanical Design For ease of installation and maintenance.

Extra Thick Wet End Components For extended wear life.

Sealing Flexibility Choice of packing, mechanical seal or dynamic seal.

Services

Primary Metals Ball Mill Discharge, Sag Mill Discharge, Tailings, Cyclone Feed

Coal Preparation Heavy Media, Hydrocyclone, Cyclone Feed, Thickener Underflow

Non-Metallic Mining Clay Slurries, Phosphate Slurries, Soda Ash, Potash

Sand and Gravel Sand and Aggregate Slurries, Tailings

Power Utility Ash Slurries, Lime Slurries

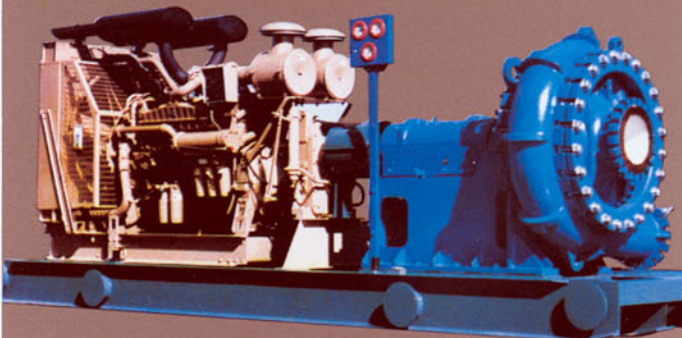
Wet Process Cement Clay Wash, Clay Storage, Kiln Feed, Raw Grind Feed, Screenings

Pulp & Paper Black Liquor, Sand Slurries, Mill Waste, Sludge, Scrubber Water, Fly Ash

General Foundry Sand, Plant Waste, Mill Scale, Sand Slurries, Lime Slurries, Ash Slurries



Goulds Model 5500 is the result of many years of experience designing and building severe duty slurry pumps. It's not only built to stand up to the toughest abrasive slurry services, but also is designed for extreme ease of maintenance and safety. A heavy duty bearing frame and shaft, extra thick wall sections and easily replaceable wear parts add up to many years of service even under the severest operating conditions.



Portable diesel driven Model 5500 for pumping fly ash in major power plant.



Model 5500 Severe Duty Slurry Pumps

Extra Heavy Duty Features for Handling Severest Abrasive Slurries

DOUBLE LIP SEALS

With grease barrier for positive bearing housing sealing.

DOUBLE ROW BEARING

Simple, rugged design. Oil lubrication standard.

EXTRA HEAVY DUTY SHAFT

Long bearing span and large diameters reduce shaft deflection, extend bearing and packing life. Ideally suited for mounting large motors overhead.

FREE STANDING FABRICATED STEEL FRAME

For safe and easy installation; no cracking.

KNOCK-OFF DEFLECTOR

For easier impeller removal and added bearing protection.

SHAFT SLEEVE

Hook-type, extra thick for long life, reduced maintenance. Optional ceramic sleeve available for severe services.

STUFFING BOX CONNECTIONS

Standard for either "full flush" or "low dilution." Customer selects best choice for service.

STUFFING BOX BUSHING

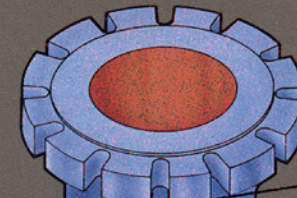
Allows easy clearance renewal without replacing stuffing box.

FULL T-SLOT BOLTING

For ease of maintenance.

EXTERNAL IMPELLER ADJUSTMENT

Easy access and adjustment allows sustained performance. Up to 8 inches of axial adjustment extends useful life of parts and allows easy access to impeller for maintenance.



CAST IN LIFTING LUGS

Provides safe, ease of handling.

INTEGRAL REAR LINER

No joints; extra thick. Reduces parts inventory cost and simplifies maintenance.

LARGE DIAMETER IMPELLER

Higher heads at lower operating speeds. Extra thick wall sections. Back pump-out vanes reduce stuffing box pressure, keep solids from entering stuffing box.

TAPER FIT

For ease of disassembly, reassembly.

POSITIVE IMPELLER ATTACHMENT

Heavy duty Acme threads for easy impeller removal. No inserts for trouble-free operation.

OPTIONAL CERAMIC SUCTION COVER INSERT

For extended wear life in severest services.

THICK METAL SECTIONS

Casing, suction cover and impeller have extra thick wall sections for extended wear life, reduced maintenance.



MODEL 5500 HP

Special heavy duty casing, two-piece suction cover and liner, 400 lb. flanges for high pressure slurry pumping.

Designed for Ease of Maintenance

T-Slot Bolting

Allows ease of disassembly and reassembly—less downtime—low maintenance costs.



Cast-In Lifting Lugs

On all major wet-end components facilitates handling for less downtime, greater safety and lower maintenance cost. No special tools required.



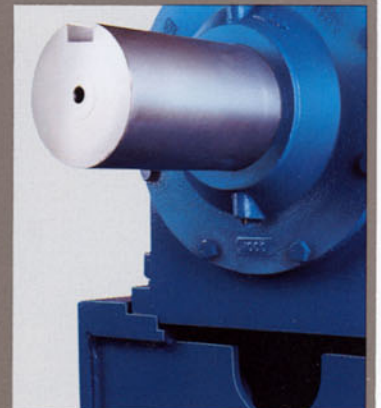
Knock-Off Deflector

Protects bearings; facilitates threaded impeller removal. Less maintenance time, lower maintenance costs.



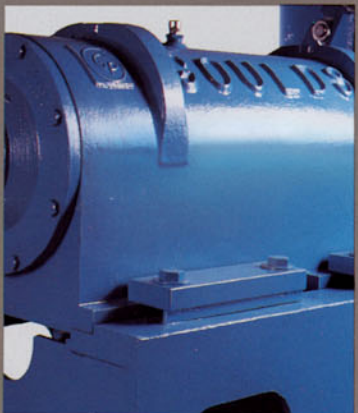
Flat Bottom Bearing Housing

Double register fit assures positive alignment and perfect fit with no shimming. Less maintenance and downtime.



Bearing Housing Hold-Down Bolts

Accessible from the top, facilitates impeller end clearance adjustment, simplifies power end removal. Less downtime, low maintenance cost.



Other Features

Optional Impeller Hook Allows fast, easy, safe removal of impeller; less downtime.

Bottom Oil Drain Speeds oil changes—less downtime, lower maintenance cost.

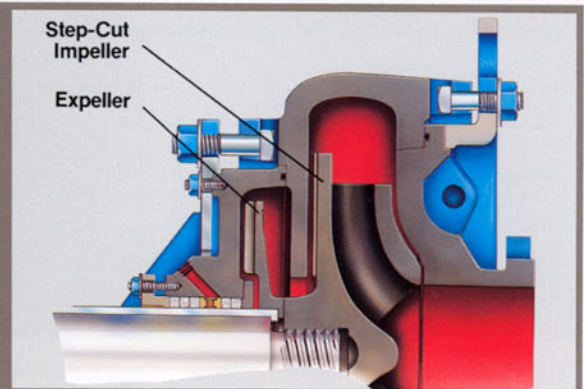
Dead-Set Bearings No shims, adjusting rings or springs. Simple, accurate—less downtime, lower maintenance cost.

Generous Access To Stuffing Box Facilitates servicing stuffing box for extreme ease of maintenance; less downtime.

Dynamic Seal

Expeller Option For Absolute Dry Box Sealing Expeller and step-cut impeller engineered for positive stuffing box sealing. No outside flush required. Saves water, piping costs; eliminates product loss.

All sizes performance tested.



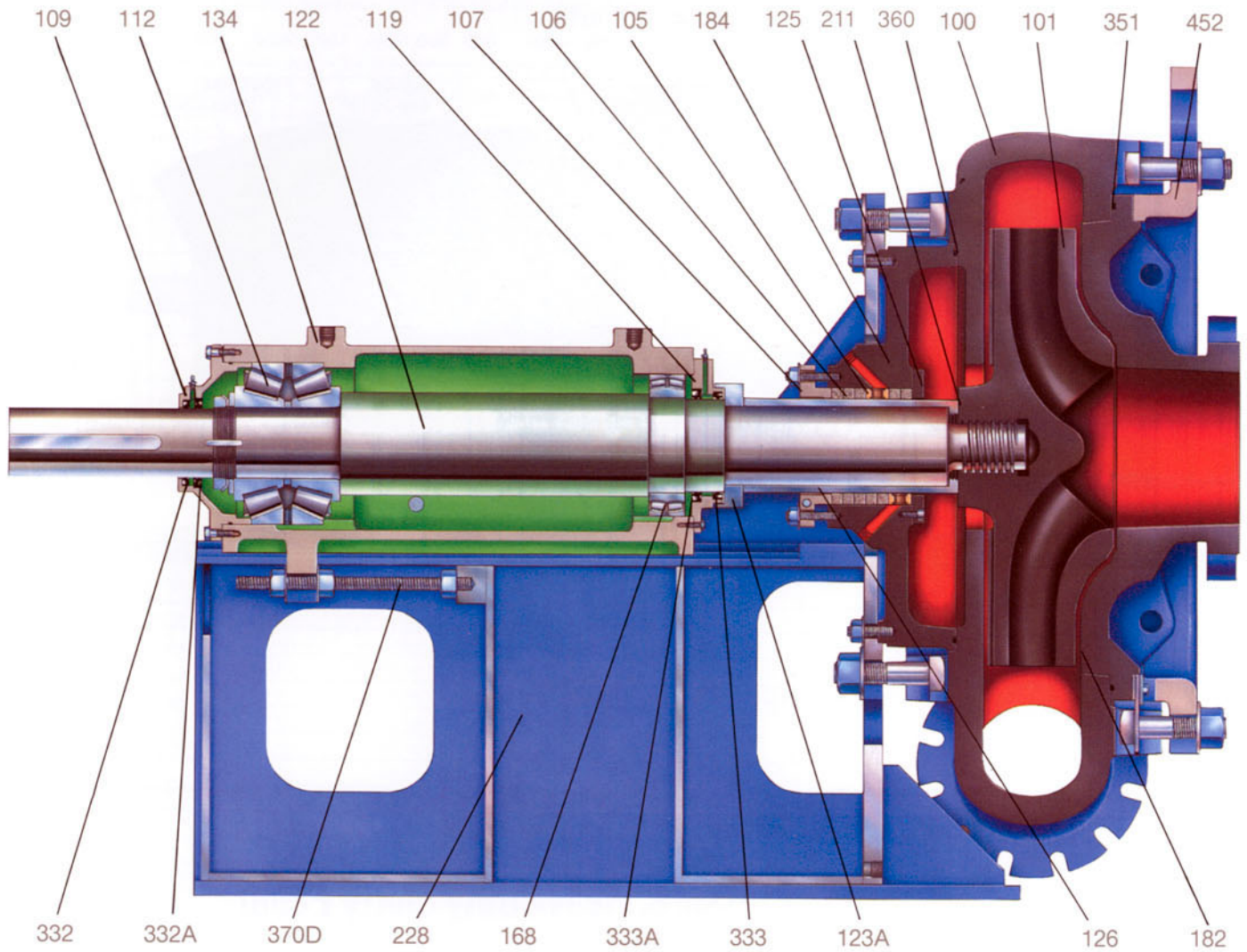
Parts List and Materials of Construction

Part Number	Description	Material	
		HC600 (High Chrome Iron)	CD4MCu
100	Casing	HC600	CD4MCu
101	Impeller	HC600	CD4MCu
105	Lantern Ring	Teflon	
106	Packing	Graphite Synthetic	
107	Gland	Cast Iron	316SS
109	Outboard End Cover	Cast Iron	
112	Outboard Bearing	Tapered Roller	
119	Inboard End Cover	Cast Iron	
122	Shaft	Steel	
123A	Knock-Off Deflector	Steel	
125	Stuffing Box Bushing	HC600	CD4MCu
126	Shaft Sleeve	420 Stainless Steel (Hardened)	CD4MCu
134	Bearing Housing	Cast Iron	
168	Inboard Bearing	Spherical or Tapered Roller	
182	Suction Cover	HC600	CD4MCu
182HP	Suction Cover Liner	HC600	CD4MCu
184	Stuffing Box Cover	Ductile Iron	CD4MCu
184	Stuffing Box Cover (Expeller Option)	HC600	CD4MCu
184A	Slurry Seal Chamber	HC600	CD4MCu
211	Gasket—Impeller to Sleeve	Fiber	
228	Frame	Fabricated Steel	
262	Expeller (Optional)	HC600	CD4MCu
332	Outboard Oil Seal (Outside)	Buna Rubber	
332A	Outboard Oil Seal (Inside)	Buna Rubber	
333	Inboard Oil Seal (Outside)	Buna Rubber	
333A	Inboard Oil Seal (Inside)	Buna Rubber	
351	O-ring—Suction Cover/Casing	Buna Rubber	
353	Mechanical Seal	As Required	
360	O-ring—Stuffing Box/Casing	Buna Rubber	
370D	Impeller Adjusting Screw	316 Stainless Steel	
452	Suction Cover Clamp	Ductile Iron	
452HP	Suction Cover	Ductile Iron	

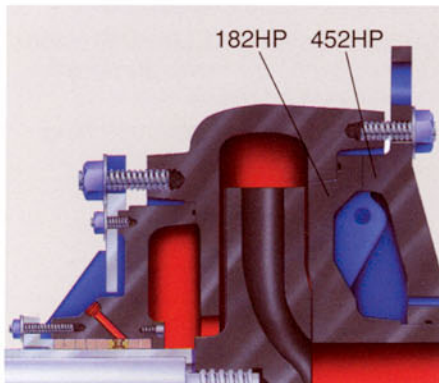
Materials of Construction

Description	Specification
High Chrome Iron	ASTM A532, Class III Type A Hardened
Cast Iron	ASTM A48, Class 25
1144 Steel	ASTM A576-90b
420 Stainless Steel	ASTM A743 Grade CA-40
Ductile Iron	ASTM A536 Grade 80-55-06
CD4MCu	ASTM A743 Grade CD4MCu
316 Stainless Steel	ASTM A276 Type 316

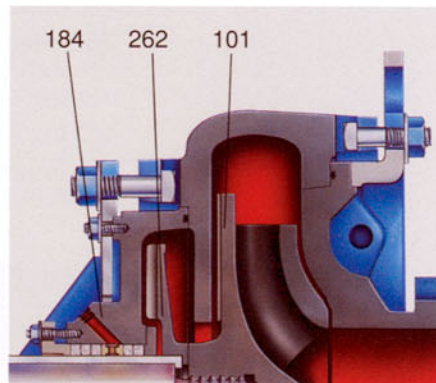
Sectional View Model 5500



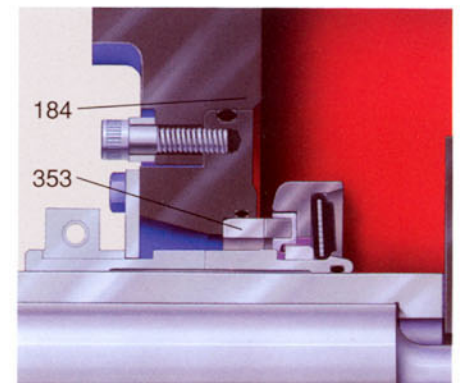
**MODEL 5500 HP
(HIGH PRESSURE PUMP)**



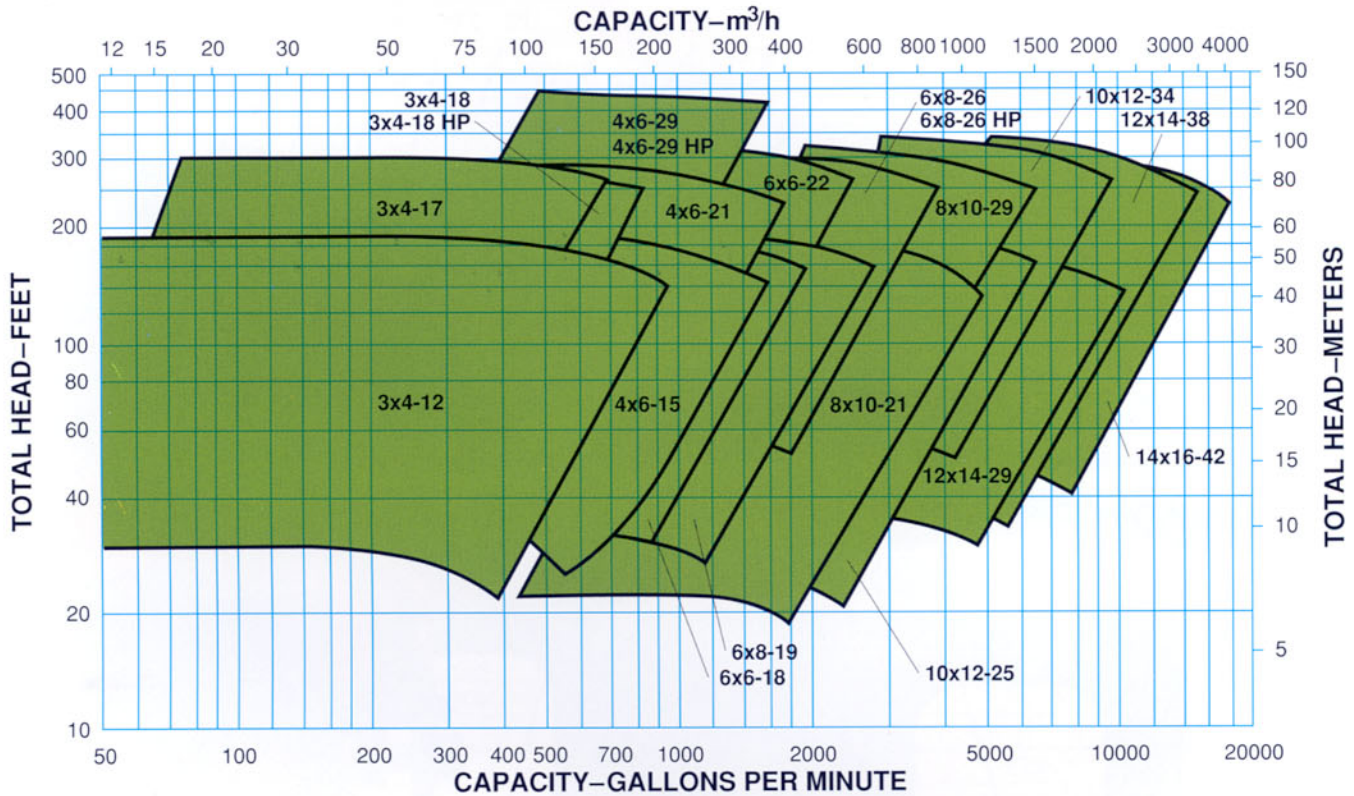
**DYNAMIC SEAL
(EXPELLER OPTION)**



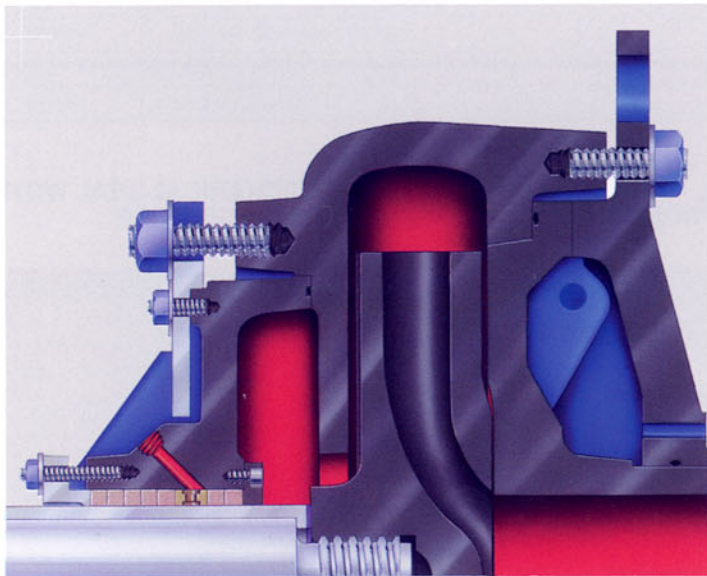
**SLURRY MECHANICAL SEAL WITH
SLURRY SEAL CHAMBER**



Hydraulic Coverage 50/60 Hz



Model 5500 HP High Pressure, Heavy Duty Slurry Pump



Goolds Model 5500 HP is designed to handle tough *staged* or *series* pumping. It's built with all the proven features of the standard 5500 making it the most reliable and maintenance-friendly pump in the industry.

- Capacities to 4,000 GPM (908 m³/h)
- Heads to 440 feet (134m)
- Pressures to 500 PSIG (3448 kPa)
- Temperatures to 200°F (93° C)
- Solids to 2½ inches (64 mm)

Features

Heavy Duty Casing

For high pressures and abrasive services.

Two-Piece Suction Cover and Liner Provides temporary secondary containment; pump will operate until shut down for repair.

400 Lb. Flanges For high pressure pumping.

Maximum Interchangeability With 5500
For minimum inventory.

Services

- Tailings
- Potash
- Pipeline
- Mud Disposal
- Jet Water Ash

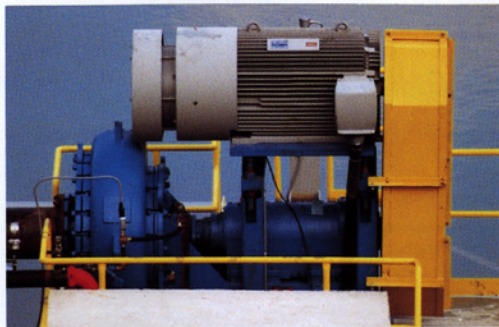
Construction Details

All dimensions in inches and (mm).

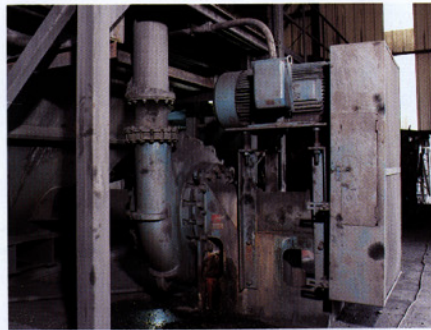
Frame	B1										B2										B3										B4										B5	
Pump Size	3x4-12	3x4-17	3x4-18	4x6-15	3x4-17	3x4-18	3x4-18HP	4x6-15	4x6-21	6x6-18	6x6-19	6x6-22	8x10-21	4x6-21	4x6-21HP	4x6-29	6x6-18	6x6-19	6x6-22	6x6-26	6x12-25	8x10-21	8x10-29	10x12-25	12x14-29	4x6-29	4x6-29HP	6x6-26	6x6-26HP	6x12-25	8x10-29	10x12-25	10x12-34	12x14-29	12x14-38	10x12-34	12x14-38	14x16-42				
Maximum Casing Thickness	1.0 (25)	1.25 (32)	1.0 (25)		1.25 (32)		1.0 (25)	1.5 (38)	1.12 (29)	1.5 (38)	1.25 (32)	1.5 (38)	1.75 (45)	1.12 (29)	1.5 (38)	1.75 (45)	1.25 (32)	1.89(48)	1.38 (35)		1.75 (45)					1.75 (45)					1.88 (48)	1.38 (35)	2.0 (51)	1.38 (35)	2.25 (57)	2.0 (51)	2.25 (57)					
Maximum Diameter Solids	1.25 (32)	1.0 (25)	1.5 (38)	1.0 (25)		1.5 (38)		2.0 (51)	2.5 (64)	2.0 (51)	3.0 (76)		2.0 (51)	1.5 (38)	2.0 (51)	2.5 (64)	2.0 (51)	2.5 (64)	3.25 (83)	3.25 (83)	3.0 (76)	3.25 (83)	3.5 (89)		1.5 (38)		2.5 (64)	3.25(83)	3.0 (76)	3.25 (83)	3.5 (89)	4.0 (102)	3.5 (89)	4.0 (102)	5.0 (127)							
Maximum Pressure Rating	A	B	A	B	D	A	B	A	B	A	B	D	C	A		B	A	B	A		C	D	B	D	B	A	B	A		B	A	B	A		B							
Under Sleeve		2.0 (51)						3.0 (76)											4.12 (105)											5.25 (133)						7.0 (178)						
Between Bearings		2.75 (70)						3.5 (89)											5.0 (127)											6.62 (168)						8.75 (222)						
At Coupling		1.88 (48)						2.5 (64)						2.94 (75)	3.5 (89)	2.94 (75)				3.5 (89)	2.94 (75)			3.5 (89)					4.5 (114)						5.5 (140)							
Coupling End																																										
Pump End																																										
Sleeve OD		2.5 (64)						3.75 (95)											5.0 (127)											6.25 (159)						8.0 (203)						
Bore		3.38 (86)						4.75 (121)											6.25 (159)											7.75 (197)						9.5 (241)						
Packing Size		$7/16 \times 7/16$ (11x11)						$1/2 \times 1/2$ (13x13)											$5/8 \times 5/8$ (16x16)											$3/4 \times 3/4$ (19x19)												
No. of Rings		5		5	7			5					7						5			5	7			5	7					5										
Depth		3.5 (89)		3.75 (95)	4.75(121)			3.75 (95)					6.0 (152)						4.75 (121)							5.62(143)	7.12(181)	5.62(143)	7.12(181)		5.62 (143)					6.0 (152)						

A=100 PSIG (689 kPa) working/150 PSIG (1034 kPa) test
 B=200 PSIG (1380 kPa) working/300 PSIG (2068 kPa) test
 C=250 PSIG (1724 kPa) working/375 PSIG (2585 kPa) test
 D=500 PSIG (3448 kPa) working/750 PSIG (5168 kPa) test

Goulds Model 5500: The Workhorse For The Toughest Services



Model 5500 with 450 HP motor-mounted overhead on gold tailings reclamation service.



Overhead motor-mounted Model 5500 in a coal preparation plant—heavy media cyclone feed service.

Designed for minimal maintenance, Model 5500 pumps are extremely easy to service when necessary. They are backed by Goulds parts and Goulds service, so long life in continuous use is assured. Minimize downtime, increase productivity with the Workhorse—the Goulds Model 5500.

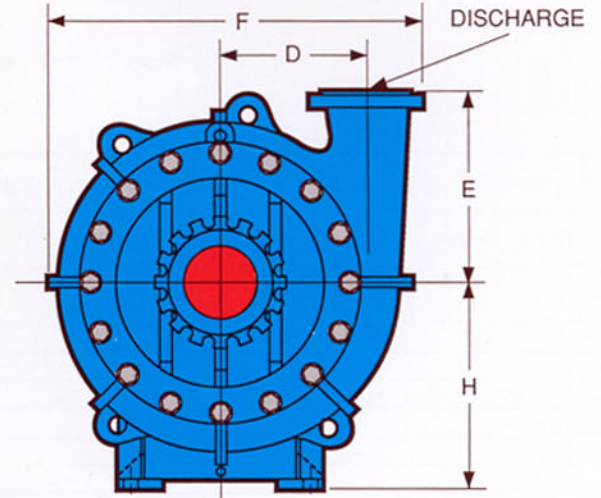
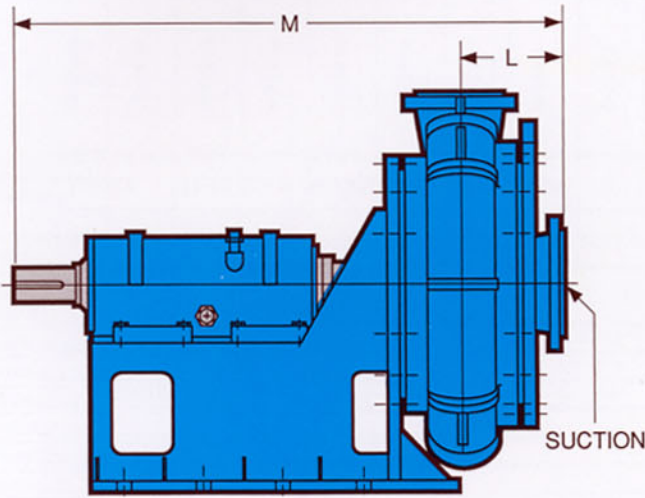


Portable diesel driven 5500 pumping gravel.



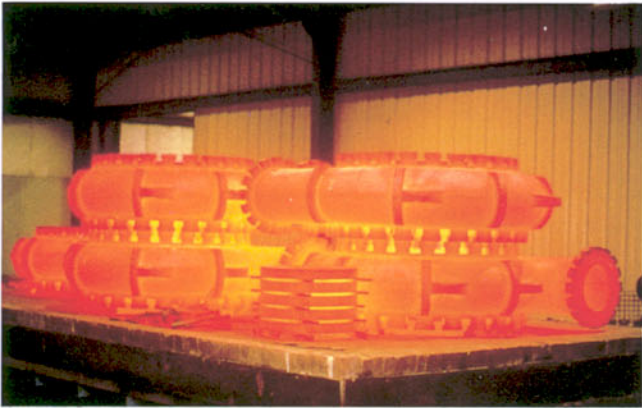
Dimensions Model 5500

All dimensions in inches and (mm). Not to be used for construction.



DIMENSIONS								
Pump	Frame	D	E	F	H	L	M	Weight Lbs./kg
3x4-12	B1	7.73 (196)	11.00 (279)	21.50 (546)	13.00 (330)	7.97 (202)	50.75 (1289)	865 (393)
3x4-17	B1	11.00 (279)	16.00 (406)	29.00 (737)	18.00 (457)	8.00 (203)	51.19 (1300)	1735 (789)
	B2	11.00 (279)	16.00 (406)	29.00 (737)	18.00 (457)	8.00 (203)	58.00 (1473)	1895 (861)
3x4-18	B1	11.00 (279)	16.00 (406)	28.38 (721)	18.00 (457)	8.25 (210)	51.66 (1312)	1770 (804)
	B2	11.00 (279)	16.00 (406)	28.38 (721)	18.00 (457)	8.25 (210)	58.50 (1486)	1930 (877)
3x4-18HP	B2	11.00 (279)	16.00 (406)	28.50 (724)	18.00 (457)	8.25 (210)	59.12 (1502)	2145 (975)
4X6-15	B1	10.00 (254)	12.75 (324)	27.06 (687)	18.00 (457)	9.00 (229)	52.19 (1323)	1400 (654)
	B2	10.00 (254)	12.75 (324)	27.06 (687)	18.00 (457)	9.00 (229)	59.00 (1497)	1600 (727)
4X6-21	B2	14.00 (356)	18.00 (457)	36.00 (914)	22.00 (559)	10.00 (254)	60.12 (1527)	2944 (1338)
	B3	14.00 (356)	18.00 (457)	36.00 (914)	22.00 (559)	10.00 (254)	68.25 (1734)	3211 (1460)
4x6-21HP	B3	14.00 (356)	18.00 (457)	36.00 (914)	22.00 (559)	10.00 (245)	68.86 (1749)	3757 (1708)
4x6-29	B3	19.12 (486)	24.50 (622)	47.62 (1209)	30.00 (762)	10.50 (267)	70.22 (1784)	4410 (2005)
	B4	19.12 (486)	24.50 (622)	47.62 (1209)	30.00 (762)	10.50 (267)	77.78 (1976)	5400 (2455)
4x6-29HP	B4	19.12 (486)	24.50 (622)	47.62 (1209)	30.00 (762)	10.50 (267)	78.92 (2000)	6100 (2773)
6x6-18	B2	12.33 (313)	15.00 (381)	32.00 (813)	22.00 (560)	8.75 (222)	59.10 (1501)	2423 (1101)
	B3	12.33 (313)	15.00 (381)	32.00 (813)	22.00 (560)	8.75 (222)	67.17 (1706)	2690 (1223)
6x8-19	B2	13.59 (345)	15.00 (381)	34.25 (870)	22.00 (560)	9.00 (229)	59.41 (1509)	2513 (1142)
	B3	13.59 (345)	15.00 (381)	34.25 (870)	22.00 (560)	9.00 (229)	67.48 (1714)	2780 (1263)
6x6-22	B2	14.88 (378)	20.00 (508)	38.63 (981)	22.00 (560)	10.00 (254)	60.12 (1527)	3037 (1380)
	B3	14.88 (378)	20.00 (508)	38.63 (981)	22.00 (560)	10.00 (254)	68.25 (1734)	3304 (1502)
6x8-26	B3	18.25 (464)	21.00 (533)	46.50 (1181)	30.00 (762)	12.25 (311)	71.38 (1813)	5300 (2409)
	B4	18.25 (464)	21.00 (533)	46.50 (1181)	30.00 (762)	12.25 (311)	78.94 (2005)	6050 (2750)
6x8-26HP	B4	18.25 (464)	21.00 (533)	46.50 (1181)	30.00 (762)	12.25 (311)	79.19 (2011)	6420 (2918)
6x12-25	B3	18.25 (464)	21.00 (533)	46.50 (1181)	30.00 (762)	10.94 (278)	70.07 (1780)	5300 (2409)
	B4	18.25 (464)	21.00 (533)	46.50 (1181)	30.00 (762)	10.94 (278)	77.63 (1972)	6050 (2750)
8x10-21	B2	16.81 (427)	17.38 (441)	42.50 (1080)	25.00 (635)	10.50 (267)	61.00 (1549)	3123 (1420)
	B3	16.81 (427)	17.38 (441)	42.50 (1080)	25.00 (635)	10.50 (267)	69.06 (1754)	3390 (1541)
8x10-29	B3	21.00 (533)	24.50 (622)	53.00 (1346)	30.00 (762)	13.38 (340)	73.06 (1856)	5850 (2659)
	B4	21.00 (533)	24.50 (622)	53.00 (1346)	30.00 (762)	13.38 (340)	80.62 (2048)	6840 (3109)
10x12-25	B3	20.00 (508)	23.00 (584)	53.00 (1346)	30.00 (762)	11.25 (286)	70.25 (1784)	4375 (1989)
	B4	20.00 (508)	23.00 (584)	53.00 (1346)	30.00 (762)	11.25 (286)	77.81 (1976)	5125 (2330)
10x12-34	B4	24.75 (629)	27.00 (686)	62.50 (1588)	35.00 (889)	14.50 (368)	82.31 (2091)	8700 (3954)
	B5	24.75 (629)	27.00 (686)	62.50 (1588)	35.00 (889)	14.50 (368)	93.31 (2370)	10300 (4682)
12x14-29	B3	23.38 (594)	25.00 (635)	60.88 (1546)	35.00 (889)	12.50 (318)	72.44 (1840)	5740 (2609)
	B4	23.38 (594)	25.00 (635)	60.88 (1546)	35.00 (889)	12.50 (318)	80.00 (2032)	6730 (3059)
12x14-38	B4	26.50 (673)	34.00 (864)	67.75 (1721)	37.00 (940)	18.25 (464)	88.06 (2237)	12200 (5545)
	B5	26.50 (673)	34.00 (864)	67.75 (1721)	37.00 (940)	18.25 (464)	98.62 (2505)	13800 (6273)
14x16-42	B5	29.62 (752)	38.00 (965)	76.12 (1933)	43.00 (1092)	18.25 (464)	98.81 (2510)	17000 (7727)

Only Goulds Own Foundry Produces The High Chrome Iron Necessary To Make A Pump As Tough As The Model 5500



Any pump is only as good as the material it's made from, and Goulds standards could accept only HC600: high chrome iron from our own foundry. In actual field applications, HC600 has been subjected to testing in the most severe slurry services. It has met and exceeded expectations at every site. Goulds painstakingly produces HC600 in our own foundry for its unsurpassed combination of abrasion and corrosion resistance. Every heat (i.e. production run) is sampled and analyzed. The alloy is adjusted to stringent metallurgical specifications to insure the precise chemical composition.

Total in-house control is also vital to the quality of the castings. Controlled heat treatment using proven



techniques and documented procedures produces HC600 components of consistent quality—metallurgically, chemically and physically. Because the Goulds foundry performs every operation, from pattern to pour, the highest quality standards can be strictly maintained. Each pump, each part can be backed by the Goulds assurance of durability and high performance. The resulting product and its replacement parts are perfectly compatible. Keeping the process under our own roof is the only way Goulds can produce pumps of such consistent high quality. The Goulds foundry has helped build, in a big way, the reputation we've earned ... The Leader.

Visit our website at www.gouldspumps.com

Goulds Pumps



ITT Industries
Engineered for life

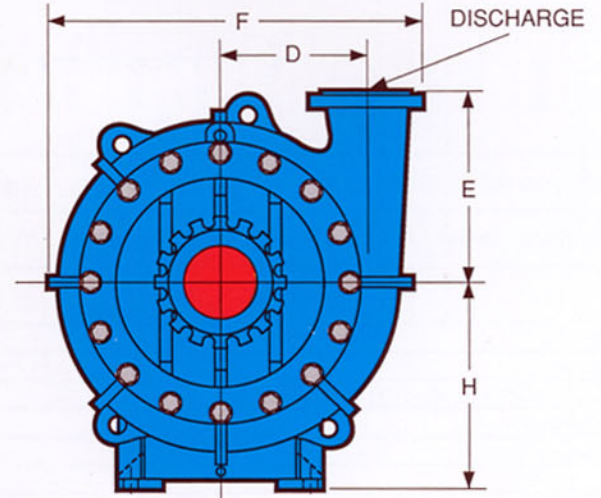
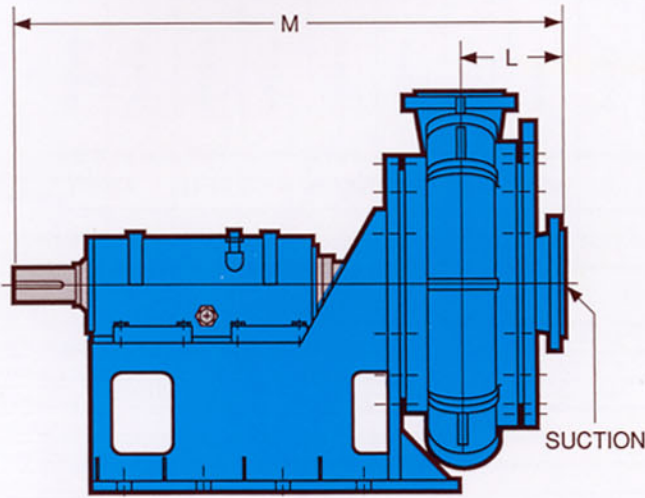
Form B212-1 5/01



©2001 Goulds Pumps
Printed in U.S.A.

Dimensions Model 5500

All dimensions in inches and (mm). Not to be used for construction.



DIMENSIONS								
Pump	Frame	D	E	F	H	L	M	Weight Lbs./kg
3x4-12	B1	7.73 (196)	11.00 (279)	21.50 (546)	13.00 (330)	7.97 (202)	50.75 (1289)	865 (393)
3x4-17	B1	11.00 (279)	16.00 (406)	29.00 (737)	18.00 (457)	8.00 (203)	51.19 (1300)	1735 (789)
	B2	11.00 (279)	16.00 (406)	29.00 (737)	18.00 (457)	8.00 (203)	58.00 (1473)	1895 (861)
3x4-18	B1	11.00 (279)	16.00 (406)	28.38 (721)	18.00 (457)	8.25 (210)	51.66 (1312)	1770 (804)
	B2	11.00 (279)	16.00 (406)	28.38 (721)	18.00 (457)	8.25 (210)	58.50 (1486)	1930 (877)
3x4-18HP	B2	11.00 (279)	16.00 (406)	28.50 (724)	18.00 (457)	8.25 (210)	59.12 (1502)	2145 (975)
4X6-15	B1	10.00 (254)	12.75 (324)	27.06 (687)	18.00 (457)	9.00 (229)	52.19 (1323)	1400 (654)
	B2	10.00 (254)	12.75 (324)	27.06 (687)	18.00 (457)	9.00 (229)	59.00 (1497)	1600 (727)
4X6-21	B2	14.00 (356)	18.00 (457)	36.00 (914)	22.00 (559)	10.00 (254)	60.12 (1527)	2944 (1338)
	B3	14.00 (356)	18.00 (457)	36.00 (914)	22.00 (559)	10.00 (254)	68.25 (1734)	3211 (1460)
4x6-21HP	B3	14.00 (356)	18.00 (457)	36.00 (914)	22.00 (559)	10.00 (245)	68.86 (1749)	3757 (1708)
4x6-29	B3	19.12 (486)	24.50 (622)	47.62 (1209)	30.00 (762)	10.50 (267)	70.22 (1784)	4410 (2005)
	B4	19.12 (486)	24.50 (622)	47.62 (1209)	30.00 (762)	10.50 (267)	77.78 (1976)	5400 (2455)
4x6-29HP	B4	19.12 (486)	24.50 (622)	47.62 (1209)	30.00 (762)	10.50 (267)	78.92 (2000)	6100 (2773)
6x6-18	B2	12.33 (313)	15.00 (381)	32.00 (813)	22.00 (560)	8.75 (222)	59.10 (1501)	2423 (1101)
	B3	12.33 (313)	15.00 (381)	32.00 (813)	22.00 (560)	8.75 (222)	67.17 (1706)	2690 (1223)
6x8-19	B2	13.59 (345)	15.00 (381)	34.25 (870)	22.00 (560)	9.00 (229)	59.41 (1509)	2513 (1142)
	B3	13.59 (345)	15.00 (381)	34.25 (870)	22.00 (560)	9.00 (229)	67.48 (1714)	2780 (1263)
6x6-22	B2	14.88 (378)	20.00 (508)	38.63 (981)	22.00 (560)	10.00 (254)	60.12 (1527)	3037 (1380)
	B3	14.88 (378)	20.00 (508)	38.63 (981)	22.00 (560)	10.00 (254)	68.25 (1734)	3304 (1502)
6x8-26	B3	18.25 (464)	21.00 (533)	46.50 (1181)	30.00 (762)	12.25 (311)	71.38 (1813)	5300 (2409)
	B4	18.25 (464)	21.00 (533)	46.50 (1181)	30.00 (762)	12.25 (311)	78.94 (2005)	6050 (2750)
6x8-26HP	B4	18.25 (464)	21.00 (533)	46.50 (1181)	30.00 (762)	12.25 (311)	79.19 (2011)	6420 (2918)
6x12-25	B3	18.25 (464)	21.00 (533)	46.50 (1181)	30.00 (762)	10.94 (278)	70.07 (1780)	5300 (2409)
	B4	18.25 (464)	21.00 (533)	46.50 (1181)	30.00 (762)	10.94 (278)	77.63 (1972)	6050 (2750)
8x10-21	B2	16.81 (427)	17.38 (441)	42.50 (1080)	25.00 (635)	10.50 (267)	61.00 (1549)	3123 (1420)
	B3	16.81 (427)	17.38 (441)	42.50 (1080)	25.00 (635)	10.50 (267)	69.06 (1754)	3390 (1541)
8x10-29	B3	21.00 (533)	24.50 (622)	53.00 (1346)	30.00 (762)	13.38 (340)	73.06 (1856)	5850 (2659)
	B4	21.00 (533)	24.50 (622)	53.00 (1346)	30.00 (762)	13.38 (340)	80.62 (2048)	6840 (3109)
10x12-25	B3	20.00 (508)	23.00 (584)	53.00 (1346)	30.00 (762)	11.25 (286)	70.25 (1784)	4375 (1989)
	B4	20.00 (508)	23.00 (584)	53.00 (1346)	30.00 (762)	11.25 (286)	77.81 (1976)	5125 (2330)
10x12-34	B4	24.75 (629)	27.00 (686)	62.50 (1588)	35.00 (889)	14.50 (368)	82.31 (2091)	8700 (3954)
	B5	24.75 (629)	27.00 (686)	62.50 (1588)	35.00 (889)	14.50 (368)	93.31 (2370)	10300 (4682)
12x14-29	B3	23.38 (594)	25.00 (635)	60.88 (1546)	35.00 (889)	12.50 (318)	72.44 (1840)	5740 (2609)
	B4	23.38 (594)	25.00 (635)	60.88 (1546)	35.00 (889)	12.50 (318)	80.00 (2032)	6730 (3059)
12x14-38	B4	26.50 (673)	34.00 (864)	67.75 (1721)	37.00 (940)	18.25 (464)	88.06 (2237)	12200 (5545)
	B5	26.50 (673)	34.00 (864)	67.75 (1721)	37.00 (940)	18.25 (464)	98.62 (2505)	13800 (6273)
14x16-42	B5	29.62 (752)	38.00 (965)	76.12 (1933)	43.00 (1092)	18.25 (464)	98.81 (2510)	17000 (7727)